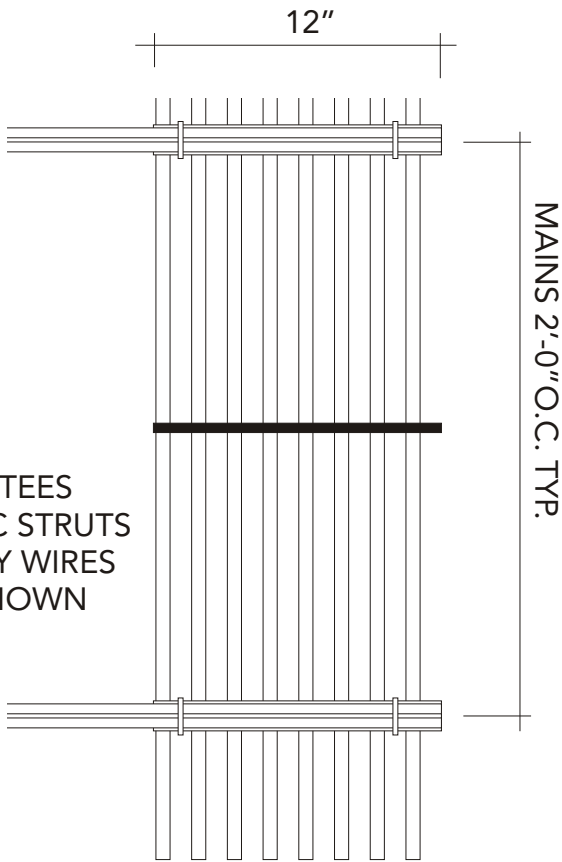


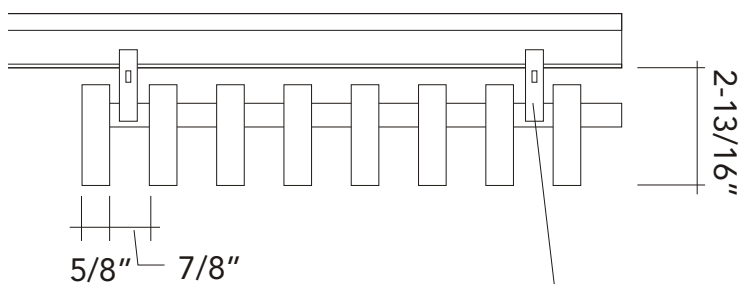
# PANELIZED LINEAR

8 MEMBER 5/8" X 2-/4"



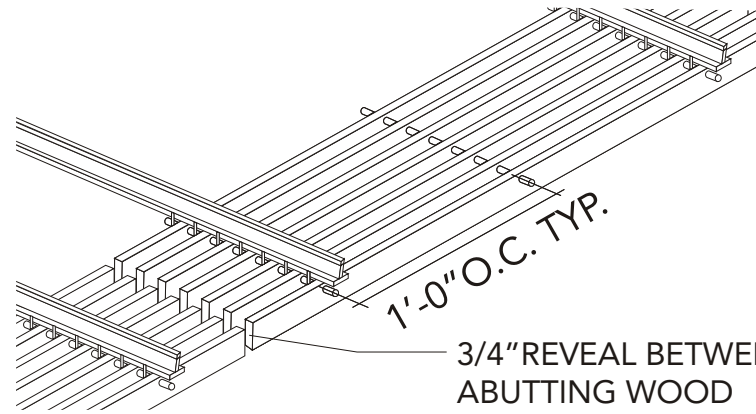
NOTE:  
CROSS TEES  
SEISMIC STRUTS  
& SPLAY WIRES  
NOT SHOWN

PLAN VIEW

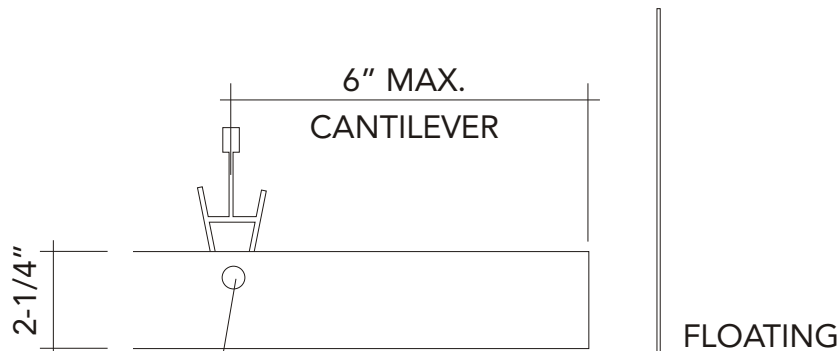


ATTACHMENT: DOWEL CLIP  
(BLACK, MIN. 6 PER 1'X8' PNL, TYP)

SECTION - END



ISOMETRIC PROJECTION



FLOATING

WALL ANGLE

MATCHING  
WOOD  
LEDGER

SIDE SECTION - PERIMETER OPTIONS



fifth wall designs

3011 82nd Lane NE  
Blaine, MN 55449  
(763) 780-4935

1 (877) 5th-Wall or 1 (877) 584-9255  
email: info@fifthwalldesigns.com

Date:

Revisions:

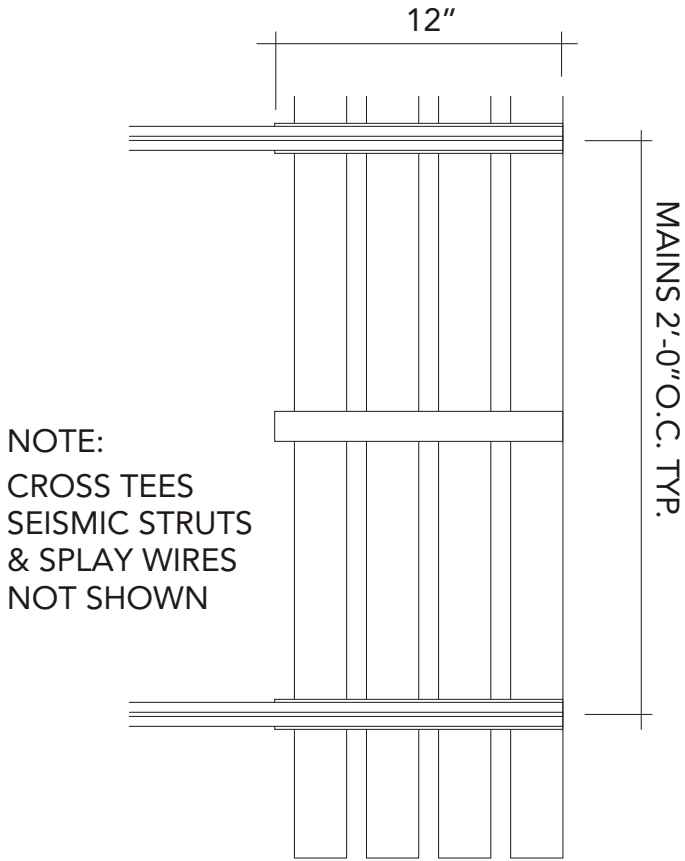
This document contains proprietary information. All design, manufacturing, reproduction, use, and sale of this document is strictly prohibited without written consent from 5th Wall Design.

Project or Location:

Page

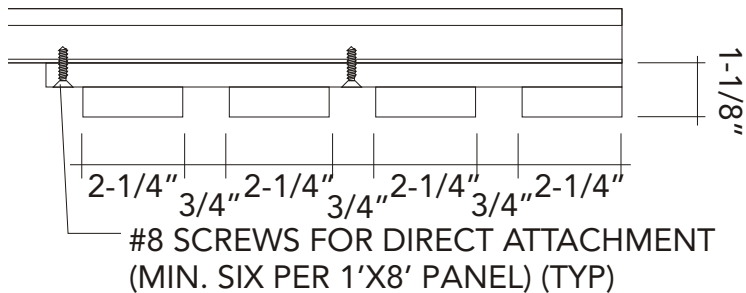
# PANELIZED LINEAR

4 MEMBER 3-1/4" X 3/4"

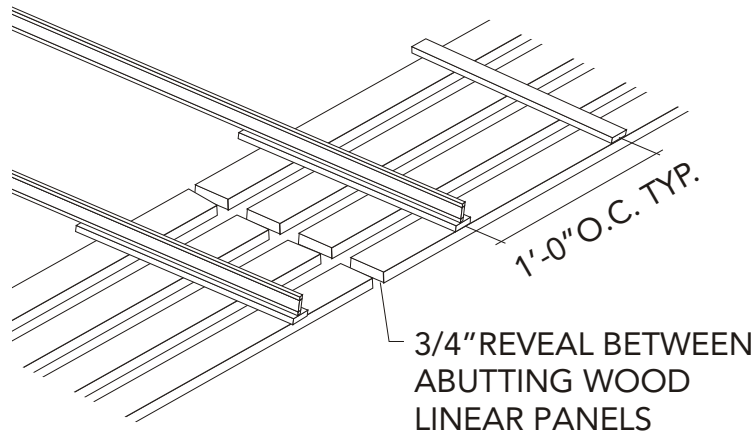


NOTE:  
CROSS TEES  
SEISMIC STRUTS  
& SPLAY WIRES  
NOT SHOWN

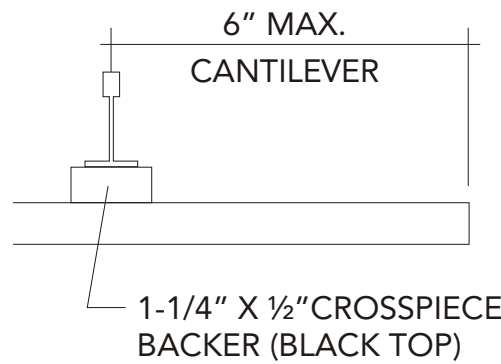
PLAN VIEW



SECTION - END



ISOMETRIC PROJECTION



FLOATING

WALL ANGLE

WALL ANGLE  
MATCHING  
WOOD  
LEDGER

SHADOW  
MOLDING

SIDE SECTION - PERIMETER OPTIONS



fifth wall designs

3011 82nd Lane NE  
Blaine, MN 55449  
(763) 780-4935

1 (877) 5th-Wall or 1 (877) 584-9255  
email: info@fifthwalldesigns.com

Date:

Revisions:

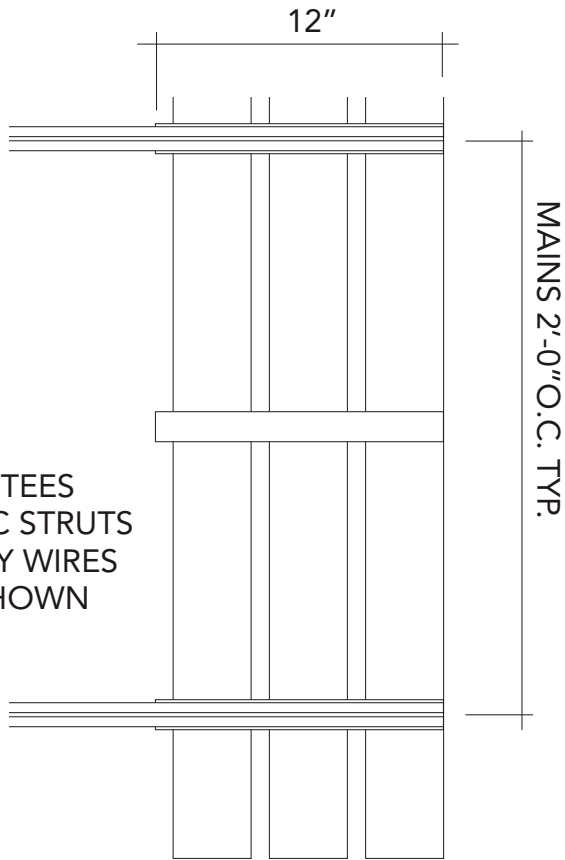
This document contains proprietary information. All design, manufacturing, reproduction, use, and sale of this document is strictly prohibited without written consent from 5th Wall Design.

Project or Location:

Page

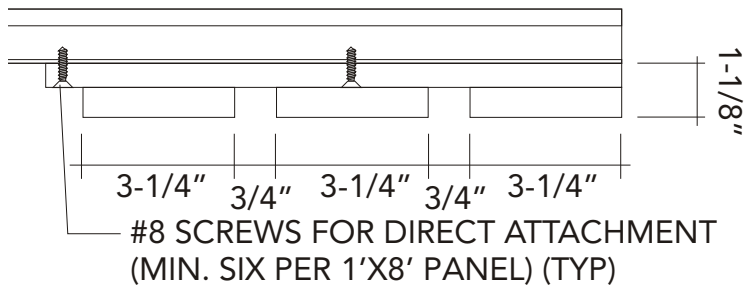
# PANELIZED LINEAR

3 MEMBER 35-1/4" X 3/4"

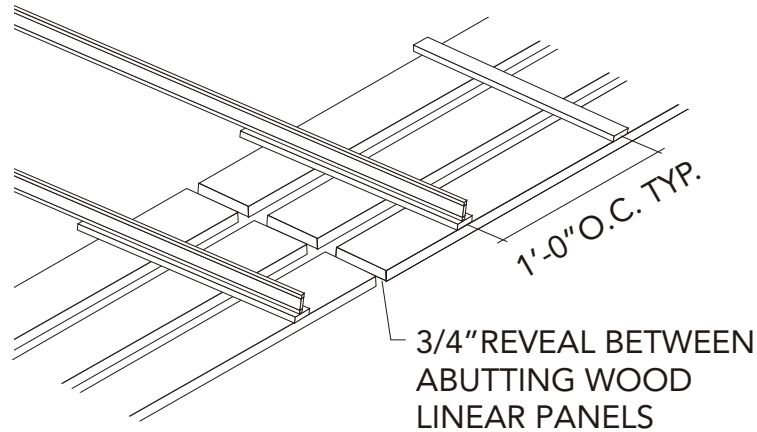


NOTE:  
CROSS TEES  
SEISMIC STRUTS  
& SPLAY WIRES  
NOT SHOWN

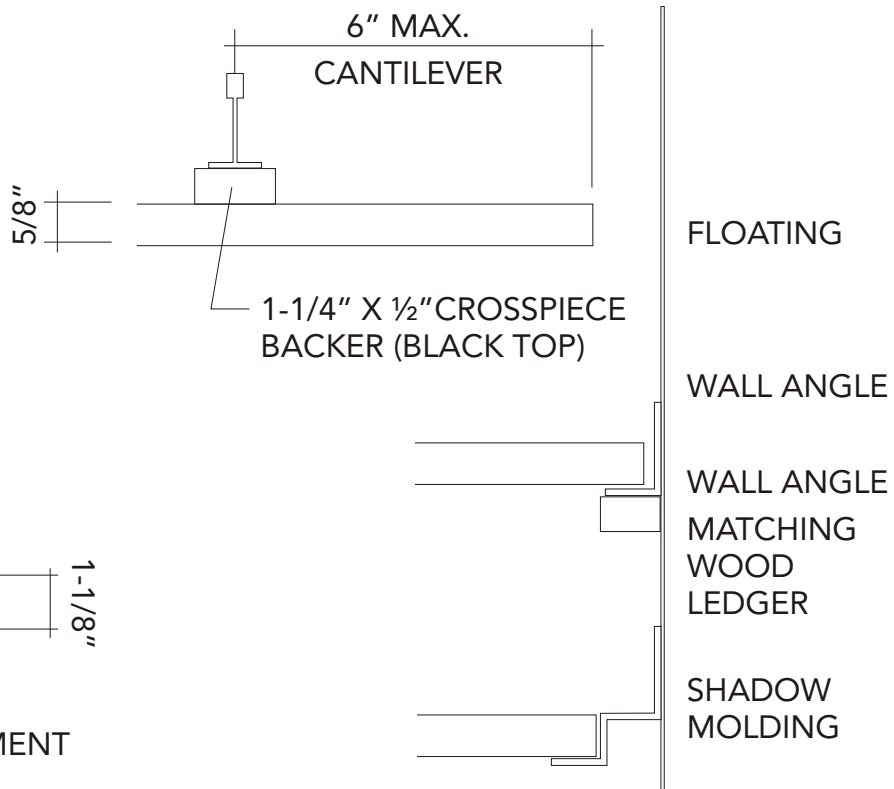
PLAN VIEW



SECTION - END



ISOMETRIC PROJECTION



SIDE SECTION - PERIMETER OPTIONS



fifth wall designs

3011 82nd Lane NE  
Blaine, MN 55449  
(763) 780-4935

1 (877) 5th-Wall or 1 (877) 584-9255  
email: info@fifthwalldesigns.com

Date:

Revisions:

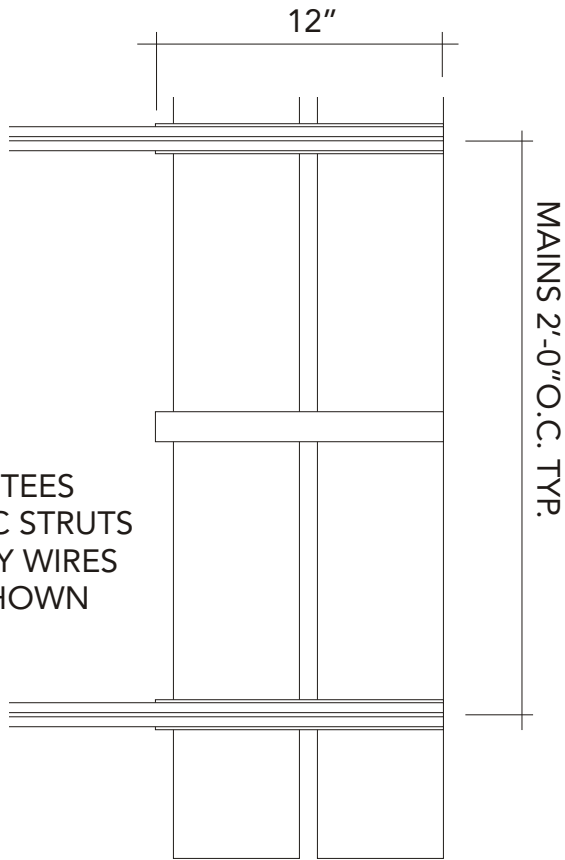
This document contains proprietary information. All design, manufacturing, reproduction, use, and sale of this document is strictly prohibited without written consent from 5th Wall Design.

Project or Location:

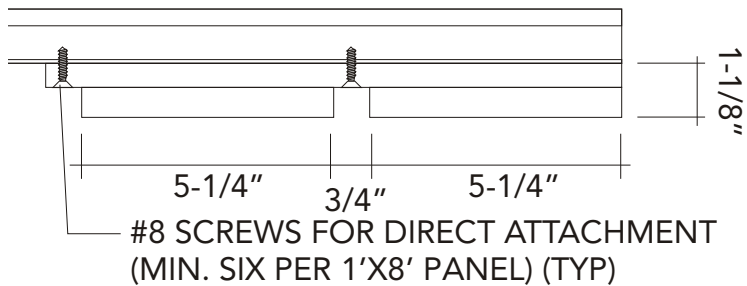
Page

# PANELIZED LINEAR

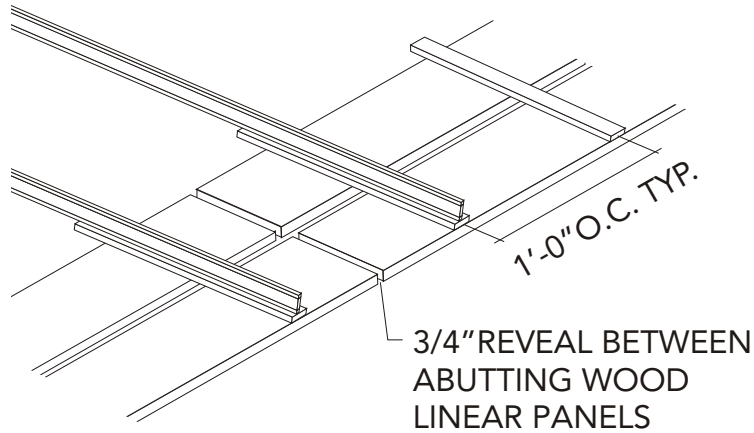
2 MEMBER 5-1/4" X 3/4"



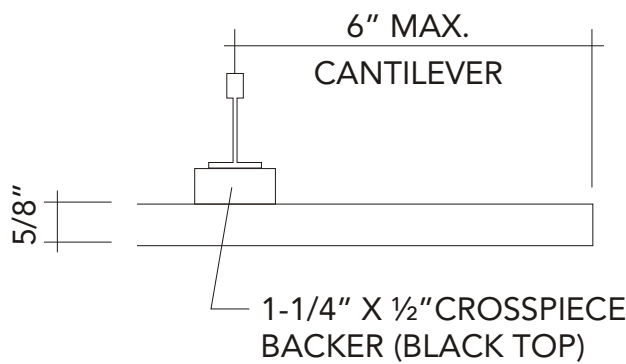
PLAN VIEW



SECTION - END



ISOMETRIC PROJECTION



FLOATING

WALL ANGLE

WALL ANGLE  
MATCHING  
WOOD  
LEDGER

SHADOW  
MOLDING

SIDE SECTION - PERIMETER OPTIONS



fifth wall designs

3011 82nd Lane NE  
Blaine, MN 55449  
(763) 780-4935

1 (877) 5th-Wall or 1 (877) 584-9255  
email: info@fifthwalldesigns.com

Date:

Revisions:

This document contains proprietary information. All design, manufacturing, reproduction, use, and sale of this document is strictly prohibited without written consent from 5th Wall Design.

Project or Location:

Page