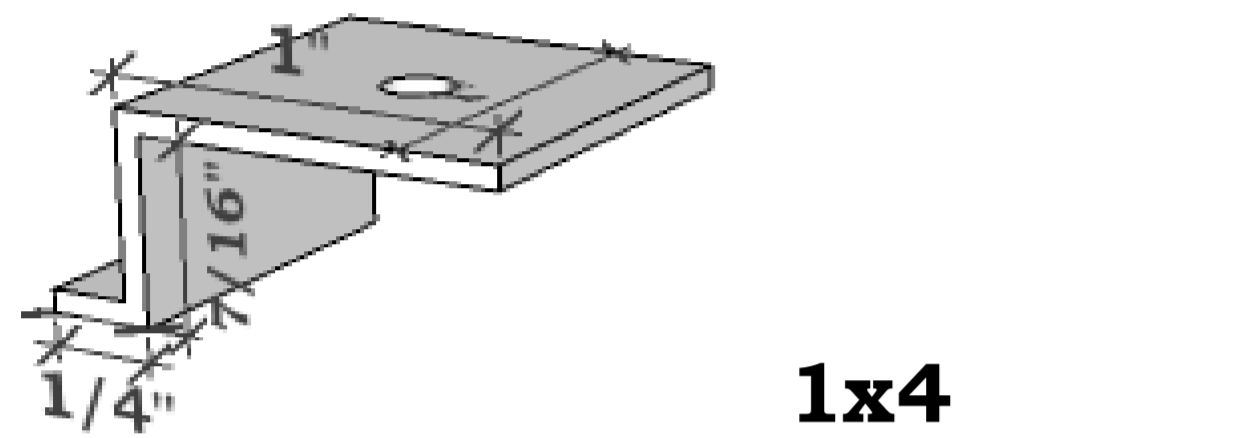


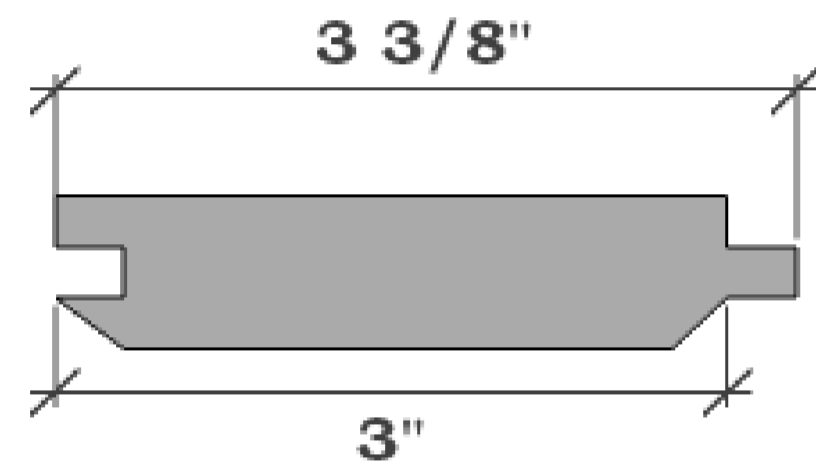
# Tongue and Groove-Direct Application-Product # 5W-TG525

## Planks: 1x4, 1x5, 1x6 Tongue and Groove - 2'-8' Random Lengths

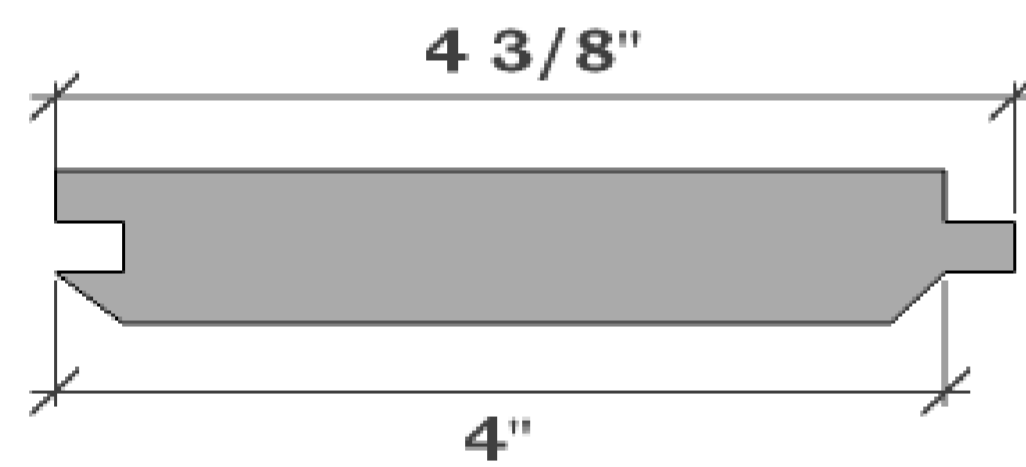
### Field Clips



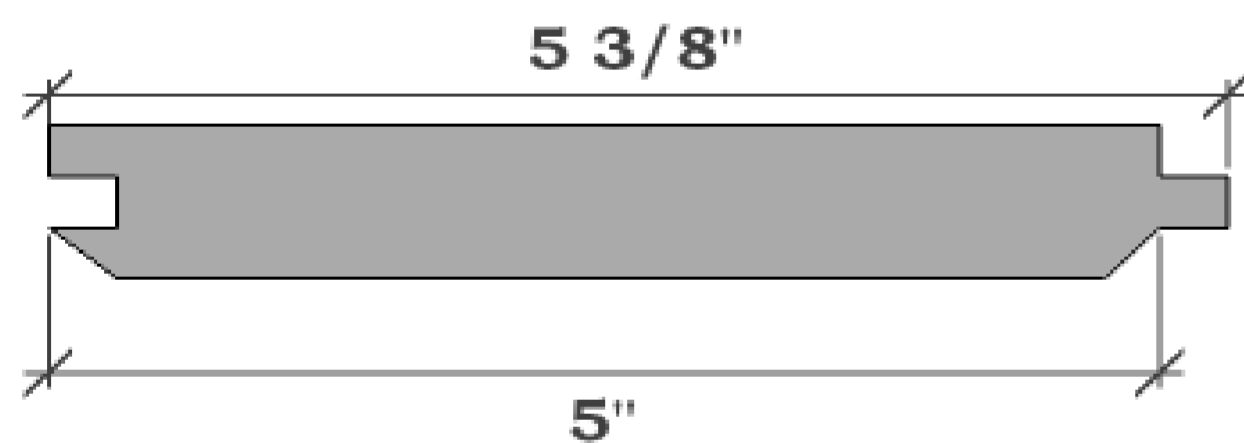
**1x4**



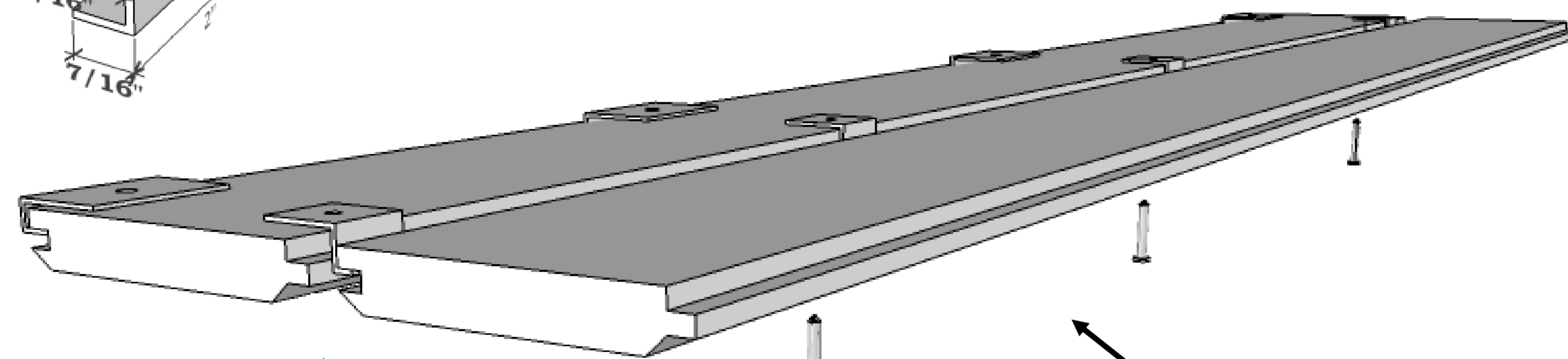
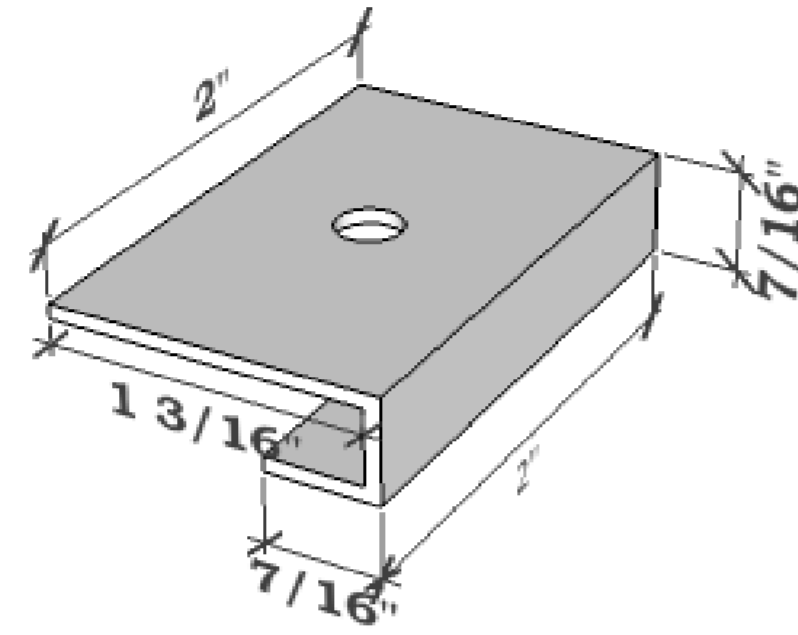
**1x5**



**1x6**



### Perimeter Clip



**Sheet Metal or Wood Screws  
attached to 15/16", Drywall Grid  
System or Decking Above**

**2 1/4" - 8 1/4" W Planks with 3/16- to 3/4" Spacing  
Custom Width and Longer Lengths Available  
Core: 3/4" Solid Wood**

### Plank Details

- **Wood Species:** See Wood Options
- **Lengths:** Standard= 2'-8' Random  
Custom Lengths Available
- **Fire Rating:** Class A or Class C
- **Cores:** Solid Wood - Ash, Basswood, Birch  
Cedar, Cherry, Maple, Pine, Red Oak,



fifth wall designs

5th Wall Designs  
3011 82nd Lane NE  
Blaine, MN 55449  
P: 1-877-584-9255  
D: 763-780-4935  
fifthwalldesigns.com

**Product Drawing  
Product # 5W-TG525**

**1x5, 1x5, 1x6  
Tongue and Groove**