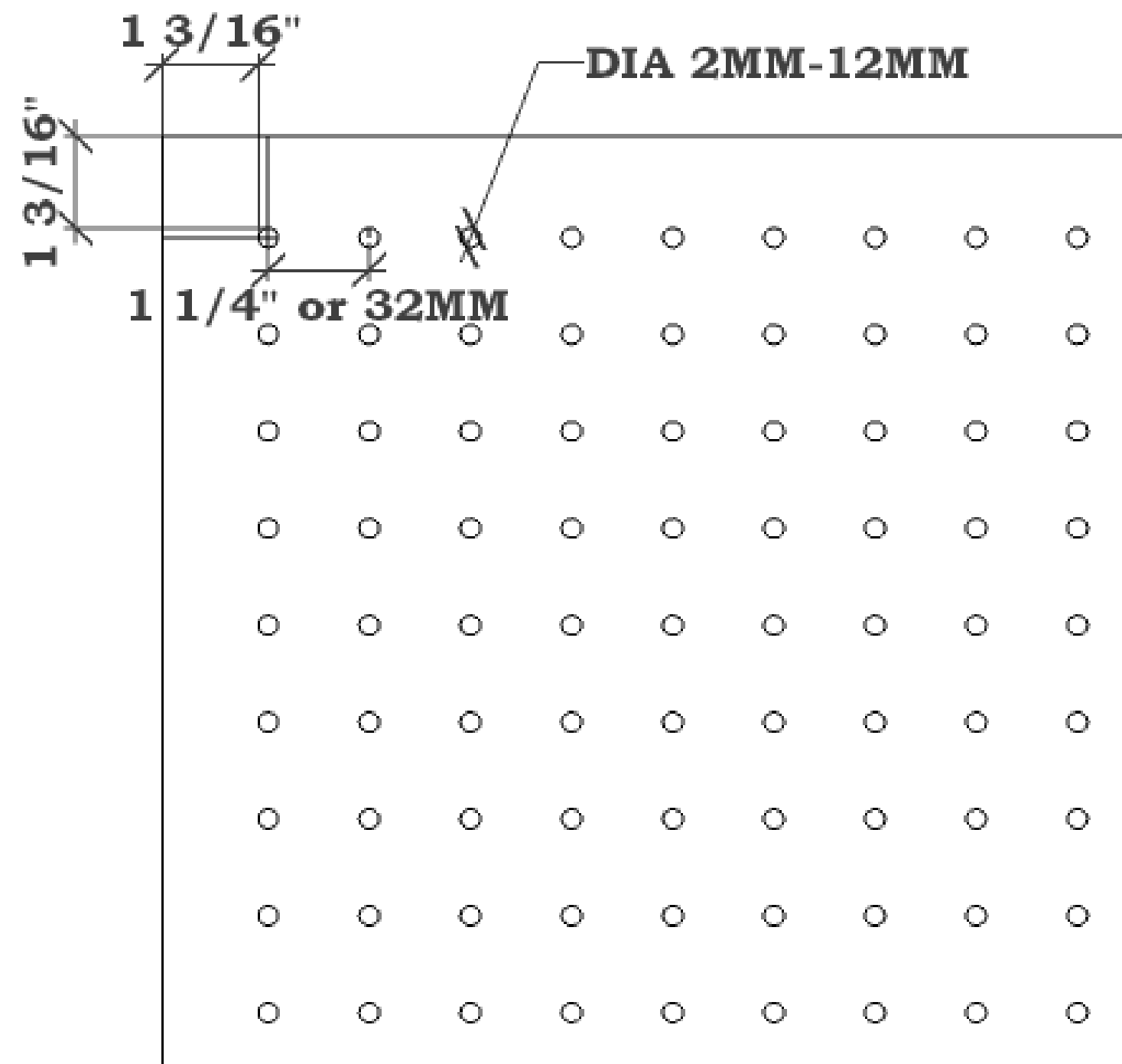
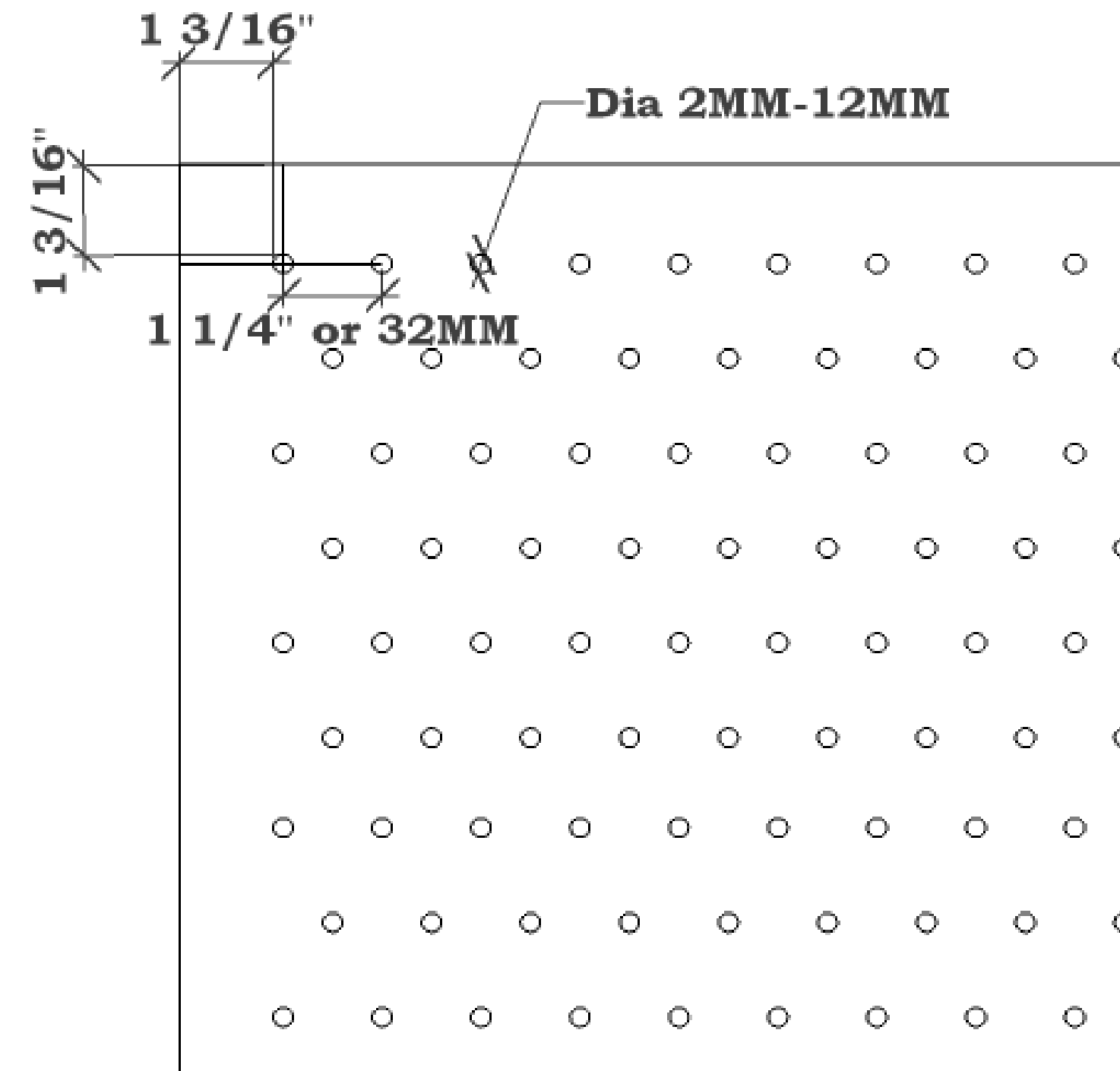


# Perforation Patterns Standard and Staggered Layout 2MM - 12MM Perforations Diameter

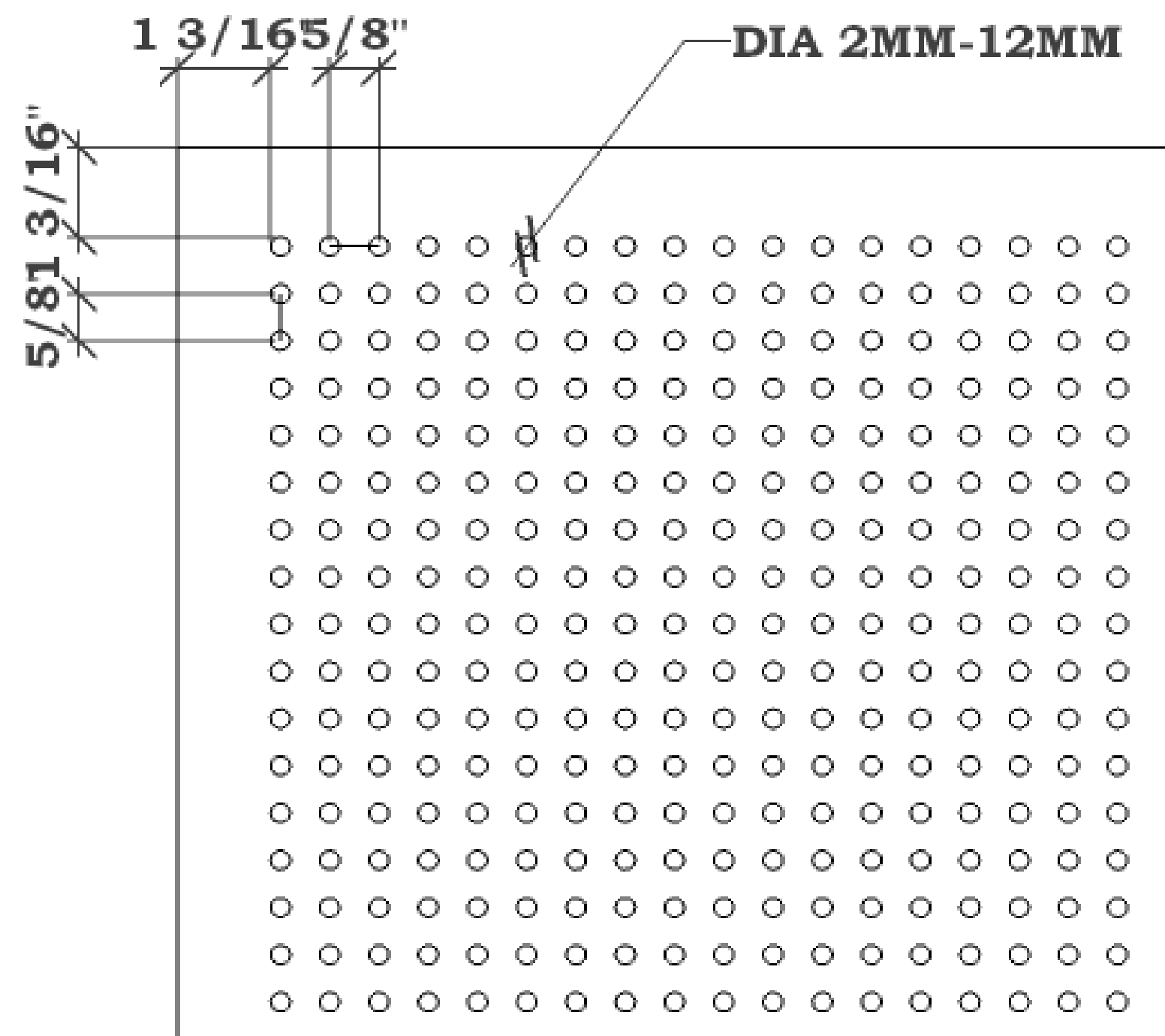
**Standard Layout  
32 or 1 1/4" On Center  
2MM - 12M Perforations Diameter**



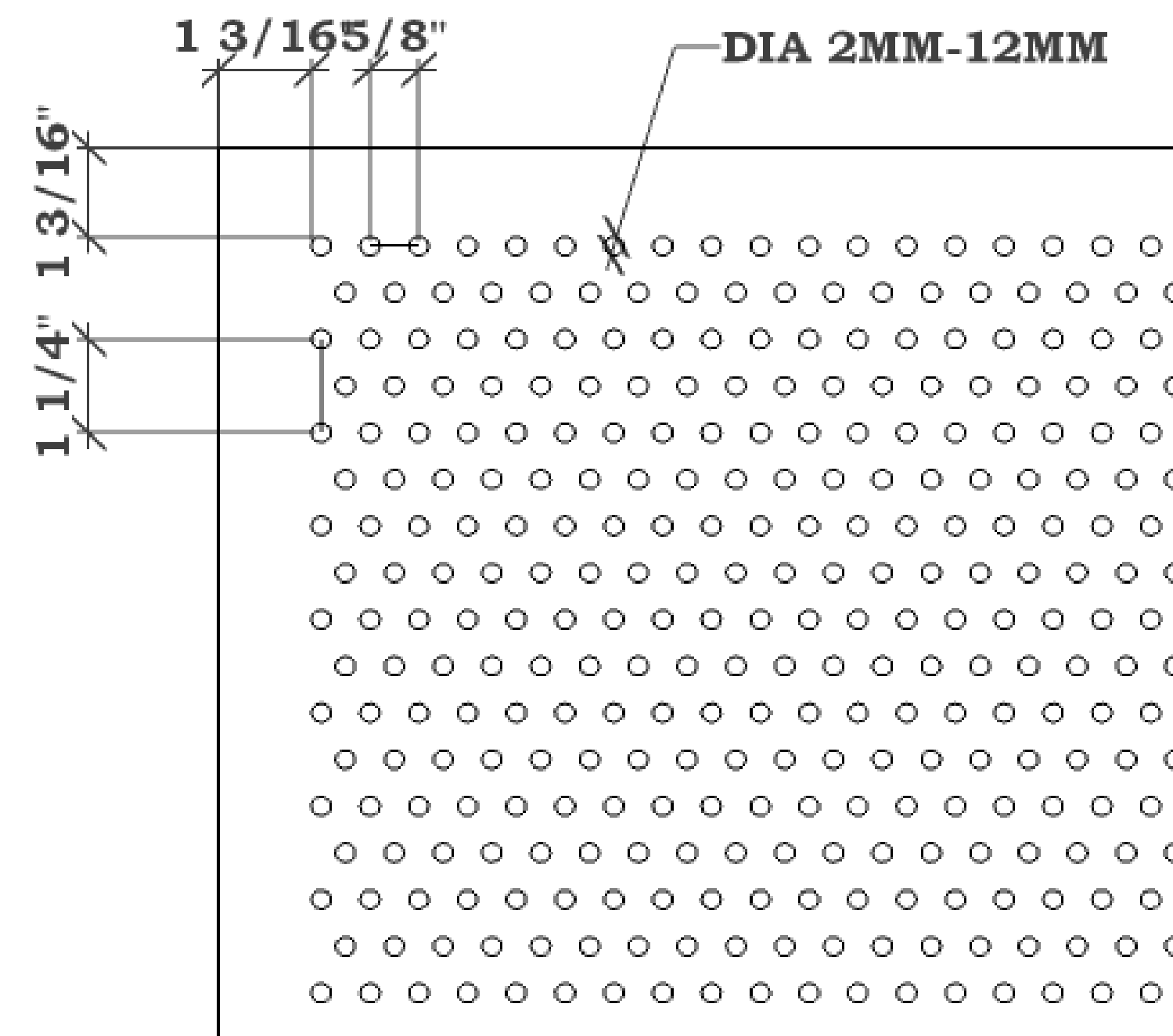
**Staggered Layout  
32MM or 1 1/4" On Center  
2MM - 12M Perforations Diameter**



**Standard Layout  
16MM or 5/8" On Center  
2MM - 12M Perforations Diameter**



**Standard Layout  
16MM or 5/8" On Center  
2MM - 12M Perforations Diameter**



fifth wall designs

5th Wall Designs  
3011 82nd Lane NE  
Blaine, MN 55449  
P: 1-877-584-9255  
D:763-780-4935  
fifthwalldesigns.com

**Product Drawing  
Perforation Patter**

**2mm- 12mm  
Standard and  
Staggered**