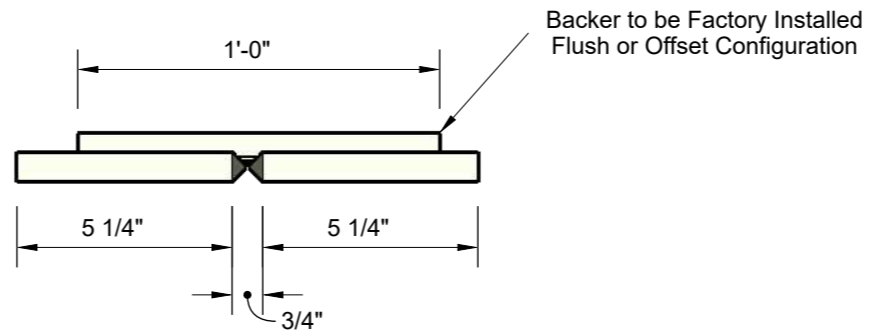
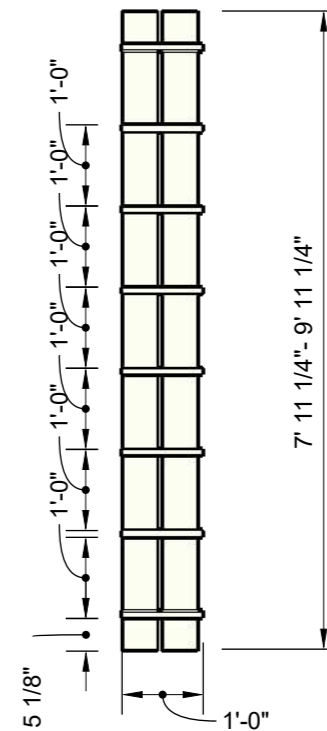


A
1 ISO View: 5W-L525-2

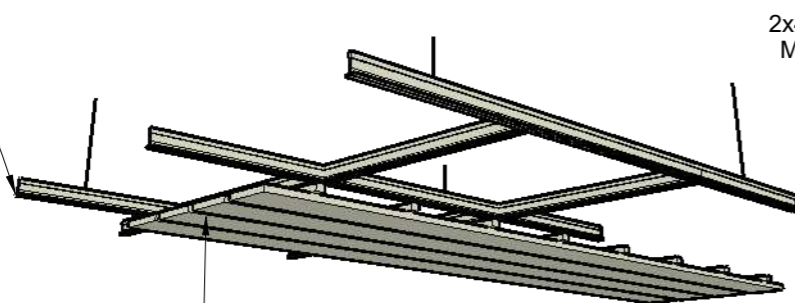


A
2 End View



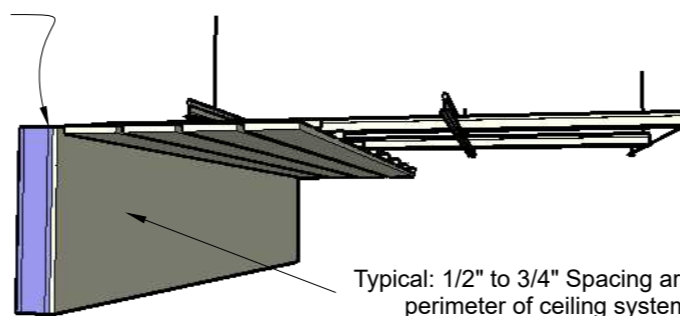
A
3 Top View

Heavy Duty 2x2 Grid System
Supplied and Installed by others.



Grille System attached to Grid System via Sheet Metal Screw through backer into grid system. Backer Pre-Drilled to attach at Grid System

2x4 Wall System
Metal or Wood



Typical: 1/2" to 3/4" Spacing around perimeter of ceiling system

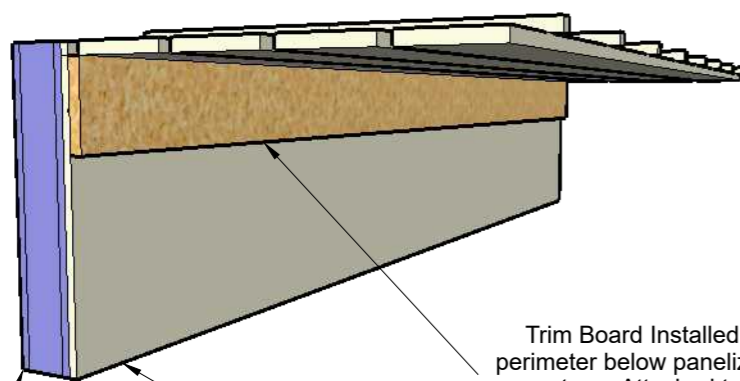


Typical 3/4" to 1/2" Spacing between Panels to maintain 2' On center Backers

A
4 ISO View: 2x2 Grid

A
5 Perimeter View

A
6 Panel Abutment

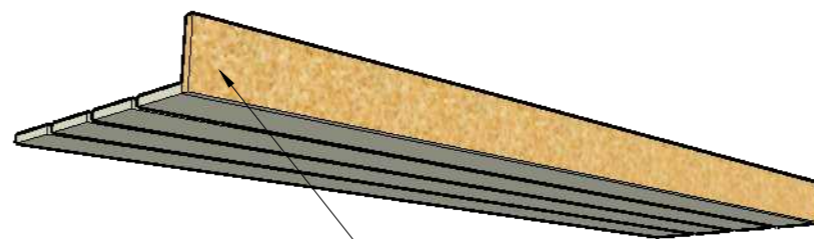


2x4 Wall

Sheet Rock

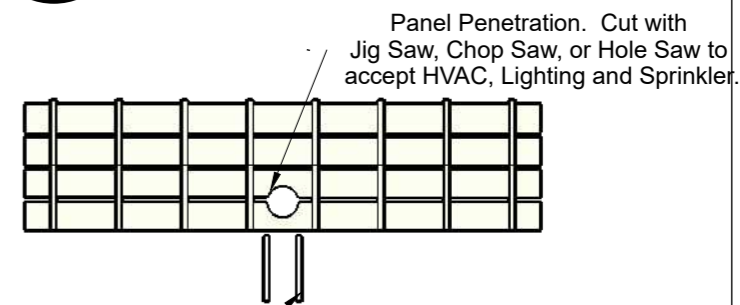
Trim Board Installed around perimeter below panelized ceiling system. Attached to wall via nail and/or adhesive

A
7 Perimeter: Trim



Upturn Around Perimeter Linear Ceiling System. Attached via face nail or back screwed. Upturn to be installed flush or reveal to create shadowline

A
8 Perimeter: Upturn



Panel Penetration. Cut with Jig Saw, Chop Saw, or Hole Saw to accept HVAC, Lighting and Sprinkler.

Factory Supplied backers to be field installed to provide support around panel penetration. Attached Via Nail or Screw

A
9 Panel Penetration